

SAFETY GUN WITH A FLAT NOZZLE

0971



Silvent 0971 is fitted with a small flat nozzle of stainless steel, which provides very special characteristics and is perfect when you want to blow with a somewhat narrower air stream. This nozzle is capable of withstanding excessive mechanical wear and is suitable for use in most environments. The 0971 safety gun offers the same advantages as the other 007 guns – including variable and booster positions, top and bottom connection with safety valves and a Softgrip handle. Patented.

Fully meets the EU Machine Directive's noise limitation requirements and OSHA's safety regulations.

REPLACES AIR GUNS WITHOUT NOZZLES

With blowing pipe diameters 3 - 4 mm
1/8"

BENEFITS

- Noise reduction – Halves the noise level
- Air consumption reduction – 20 - 40%
- Safety nozzle – Meets OSHA standards

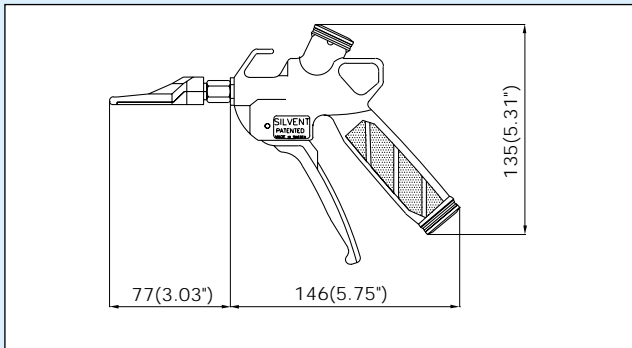
ACCESSORIES

- Self-coiling spiral hose, see tab: Accessories

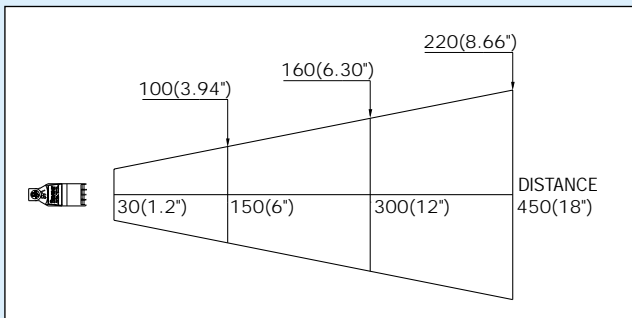


Silvent offers a large selection of self-coiling spiral hoses. These hoses are available in 3 different qualities and have been pressure drop tested for optimal compatibility with Silvent's safety guns.

DIMENSIONS



AIR CONE PATTERN



PRODUCT INFORMATION

ORDER NO./MODEL	0971	
Nozzle	971	
Replaces open pipe	mm	4
	"	1/8
Air consumption variable position	Nm ³ /h	11
	scfm	6.5
Air consumption booster position	Nm ³ /h	19
	scfm	11.2
Sound level variable	dB(A)	75
Sound level booster	dB(A)	81
Blowing force variable position	N	1.6
	oz	5.6
Blowing force booster position	N	3.3
	oz	11.6
Max. temp.	°C	-20/+70
	°F	-4/+158
Weight	g	220
	lbs	0.48
Connection	BSP	1/4"
	NPT	1/4"-18
Nozzle material	Stainless steel	

Further information in tab: Technical specifications.

Max. operating pressure: 1.0 MPa (143 psi)