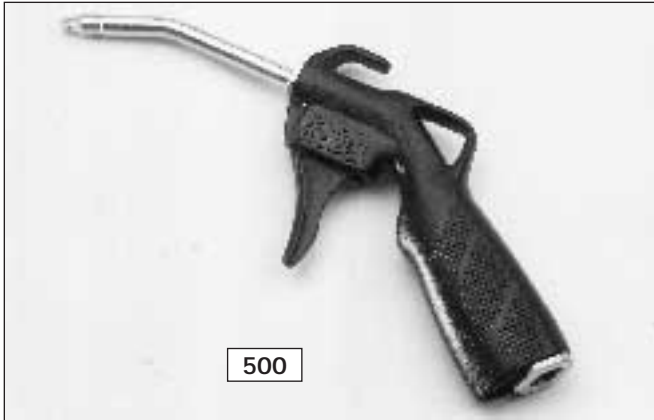


BLOWING GUN FOR DIRECTED BLOWING



REPLACES BLOWING GUNS WITHOUT NOZZLES

With blowing pipe diameters 3 - 4 mm
1/8"

BENEFITS

Noise reduction – Halves the noise level
Air consumption reduction – 20 - 50%
Safety nozzle – Meets OSHA standards

The Silvent 500 is a blowing gun that meets demands for low noise level, high blowing force, and low air consumption. The gun is fitted with a safety nozzle, which means that the dead-end static pressure of the air never exceeds 210 kPa (30 psi) in direct contact with skin. The nozzle is designed with divergent slots and a small diameter of \varnothing 8 mm and generates a strong, directed air jet. The handle is ergonomically tested and, in combination with a short trigger, provides the possibility to control the gun with precision and feeling. The trigger requires just 7 N of pressure, assuring that the gun can be used often and for prolonged periods without risking muscle strain**. Patented.

ACCESSORIES AND SPARE PARTS

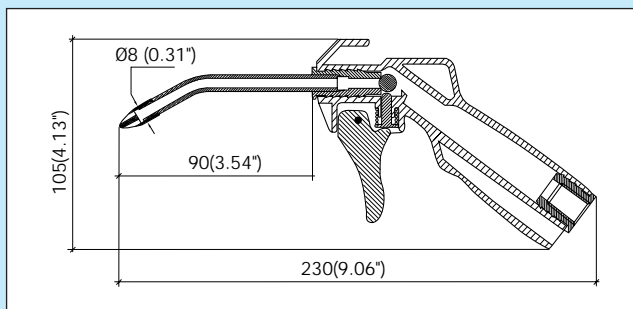
- Safety shield. See 007 gun.
- Self-coiling spiral hose. See: Accessories.
- Nozzles and blowing pipes. See 007 gun.

BLOWING GUN 500-S

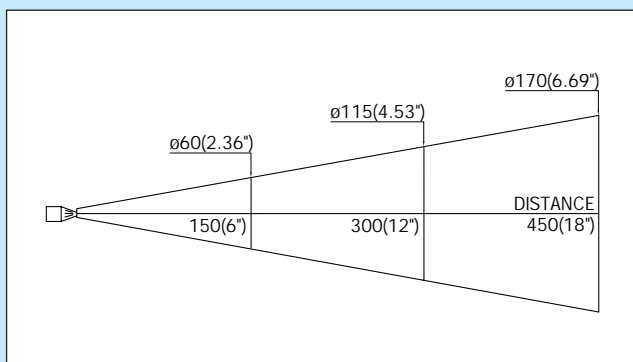


The Silvent 500-S is supplied with a stainless steel nozzle (0071) instead of the Silvent 500's standard zinc nozzle (5001). It is used in applications where the nozzle is exposed to heavy mechanical wear. In other respects, the nozzle's performance is equivalent to that of the Silvent 500.

DIMENSIONS



AIR CONE PATTERN



PRODUCT INFORMATION

ORDER NO./ MODEL	500	
Replaces open pipe	mm	4
	"	1/8
Air consumption	Nm ³ /h	19
	scfm	11.2
Sound level	dB(A)	79
Blowing force	N	3.2
	oz	11.3
Max. temp.	°C	-20/+70
	°F	-4/+158
Weight	g	145
	lbs	0.32
Connection	BSP	1/4"
	NPT	1/4"-18
Nozzle material	Zinc	

Further information in: Technical specifications.

Max. operating pressure: 1.0 MPa (143 psi)

**) Forces of less than 10% of the maximum force a finger can exert do not result in injury.
The mean strength of a male finger is 96 N.
The mean strength of a female finger is 81 N.