

# MICRONOZZLES



## REPLACES OPEN PIPE OF DIAMETERS



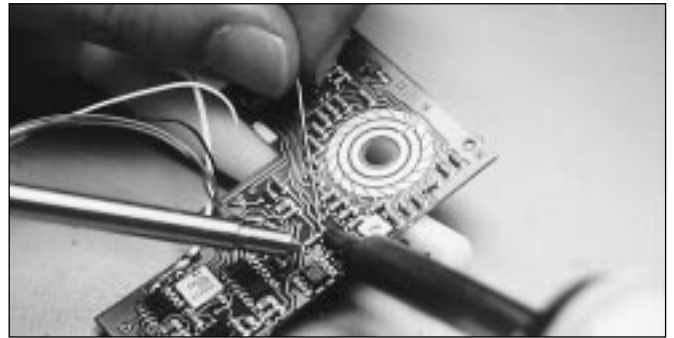
2 - 3 mm

5/64" - 1/8"

## BENEFITS

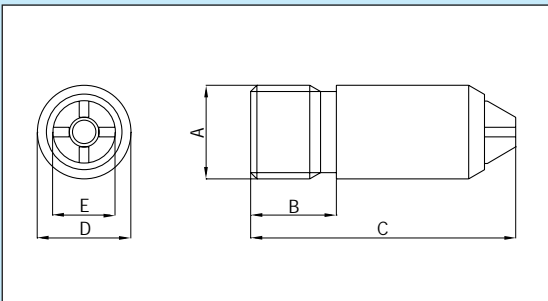
- Noise reduction - 8 - 10 dB(A)
- Air consumption reduction - 20 - 22 %

IMPACT's Microseries of blowing nozzles is made exclusively of stainless steel. The nozzles are constructed with a centrally located hole surrounded by slots. This design generates a concentrated airstream while, at the same time, limiting both the sound level and air consumption to a minimum. The small dimensions of the Microseries allow these nozzles to be incorporated into virtually any machine design. The Microseries fully complies with the stipulations of the EU Machine Directive regarding airborne noise in machines. Patented.



The picture shows an application where Impact MJ6 is used for spot cooling and blow-off when soldering a printed circuit board.

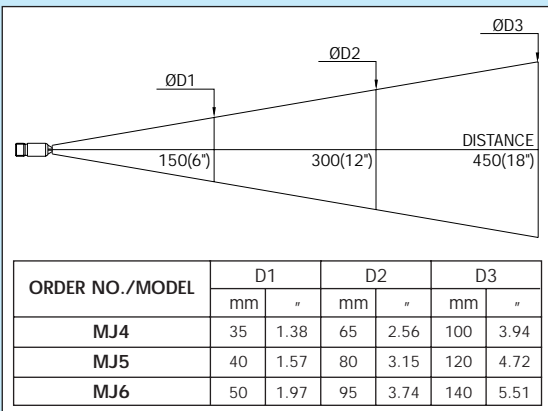
## DIMENSIONS



## PRODUCT INFORMATION

ORDER NO./MODEL		MJ4	MJ5	MJ6
A		M4x0.5	M5x0.5	M6x0.75
B	mm	5.5	5.5	5.5
	"	0.22	0.22	0.22
C	mm	16.5	17	17
	"	0.65	0.67	0.67
D	mm	4	5	6
	"	0.16	0.20	0.24
E	mm	2	3	4
	"	0.08	0.12	0.16

## AIR CONE PATTERN



Max operating pressure: 1.0 MPa (143 psi)

Replaces open pipe	mm	2	2.5	3
	"	5/64"	3/32"	1/8"
Air consumption	Nm <sup>3</sup> /h	4	10	14
	SCFM	2.4	5.9	8.2
Sound level	dB(A)	76	79	82
Blowing force	N	0.9	1.8	2.5
	Oz	3.2	6.3	8.8
Max. temp.	°C	400	400	400
	°F	752	752	752
Weight	g	1.0	1.4	1.8
	lbs	0.002	0.003	0.004
Nozzle material	Stainless steel			

**SILVENT INC.** 